



GOUDA

Blok Steam Trap type: HD and HD-F22

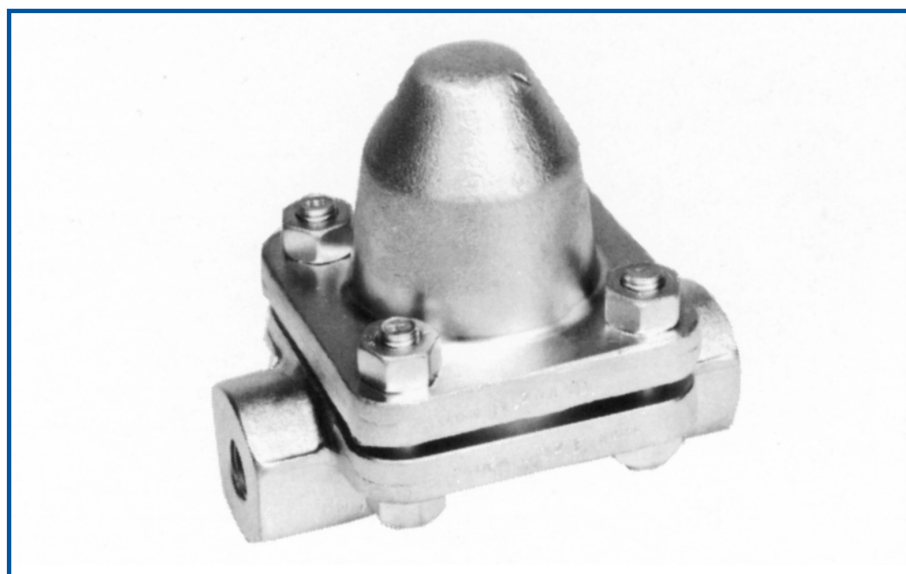


Special high pressure model: type HD and type HD-F22

Large built-in strainer. Valve functioning as automatic air vent, discharge- and check valve. Available with flanged ends, b.w., s.w. or threaded ends.

Max Pressure HD 80 bar.

Max Pressure HD-F22 140 bar.



Special high pressure model: type HD

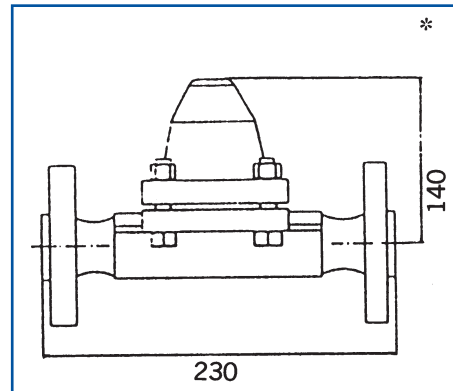
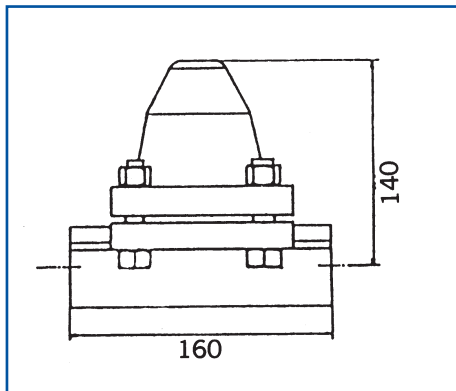
As above, however with screwed or socket weld ends.



GOUDA

Specifications type HD and HD-F22

Dimensions :



End connections:	BW or SW:	1/2" - 3/4" - 1"
	screwed BSP or NPT	1/2" - 3/4" - 1"
Max. operating pressure:	flanged DIN	DN15; DN20; DN25
	ANSI	1/2"; 3/4"; 1"
Max. operating pressure:	HD: 80 bar	(PN100 - ANSI 600 Lbs)
	HD-F22: 140 bar	(PN160 - ANSI 1500 Lbs)

Materials:

Body and Cover	HD: 15Mo3 (comparable ASTM A182 F1)
	HD-F22: 10CrMo9-10 (comparable ASTM A182 F22)
Internals	: several stainless steel.
Valve and seat	: hardened.
Gasket	: graphite/SS

Capacity:

