



Super large model: type DRS

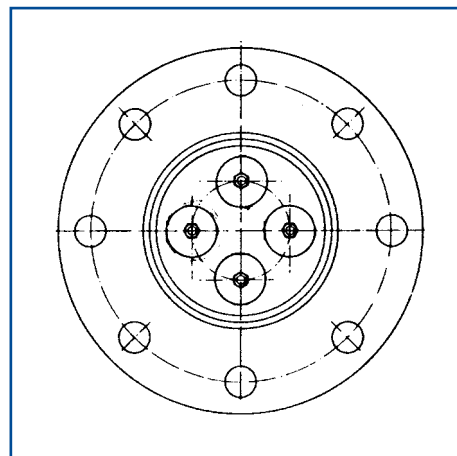
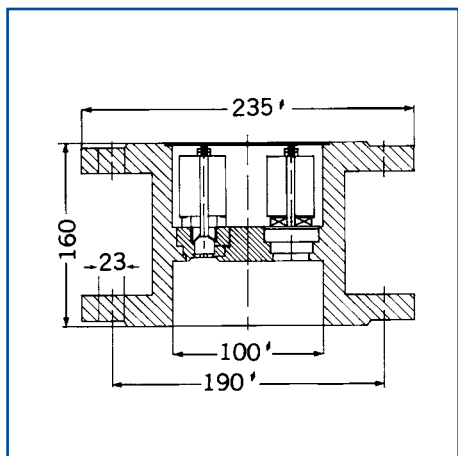
This steam trap has four units (valve, seat and bimetal). All four valves are functioning as automatic air vent, discharge- and check valve.

Designed for large capacities during start up as well as in full operation.

No sight glasses, no strainer, not adjustable during operation.

Operating pressure: 0-23 bar (standard) or 0-32 bar (special).

Dimensions (mm):



End connections : flanged DIN DN 100- PN 40; PN 63; PN 100.
 flanged ANSI 4"-150 lbs; 300 lbs; 600 lbs
 Max. operating pressure : 23 bar (32 bar)
 Max. temperature : 400 °C

Materials:

Body & flanges : Carbon steel C 22.8. (A105) or stainless steel.
 Flanges are integral.
 Internals : stainless steel.
 valves hardened.

Capacity:

