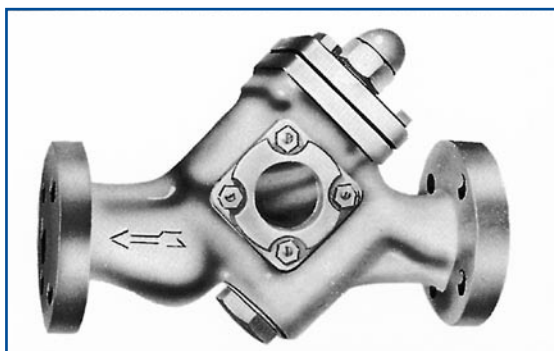


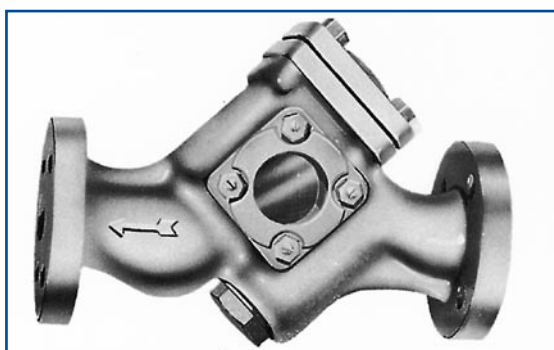
## Blok Steam Trap type: GS



### Large model: type AGS

Two sight glasses, large and easily removable strainer and external adjusting device for adjusting during operation. Valve functioning as automatic air vent, discharge- and check valve.

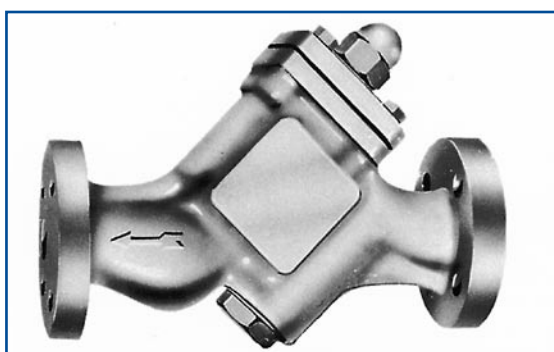
Operating pressure 0-25 bar



### Large model: type BGS

As type AGS, however, without external adjusting device.

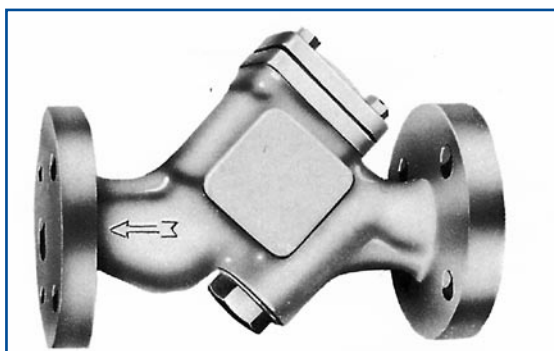
Max. operating pressure: 25 bar



### Large model: type CGS

As type AGS, however, without sight glasses.

Max. operating pressure: 32 bar



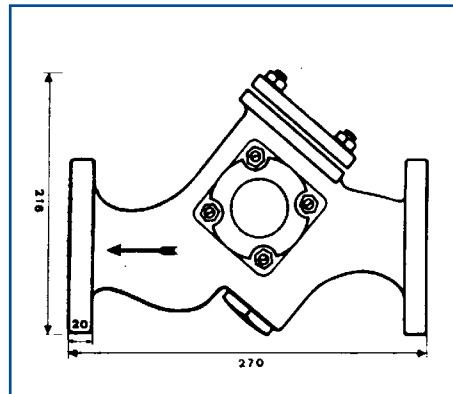
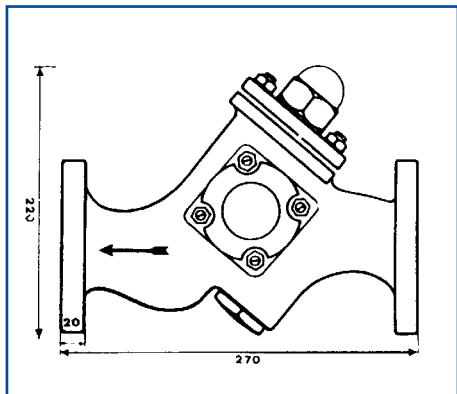
### Large model: type DGS

As type AGS, however, without external adjusting device and without sight glasses.

Max. operating pressure: 32 bar.

# Specifications type: GS

## Dimensions (mm):



- End connections : flanged DIN DN 50 - PN 40  
flanged ANSI 2" - 300 lbs
- Max. pressure : AGS and BGS 25 bar  
CGS and DGS 32 bar
- Max. temperature : 400 °C

## Materials:

- Body and bonnet : Cast steel
- Internals : Stainless steel
- Gaskets : Asbestos free

## Capacity:

