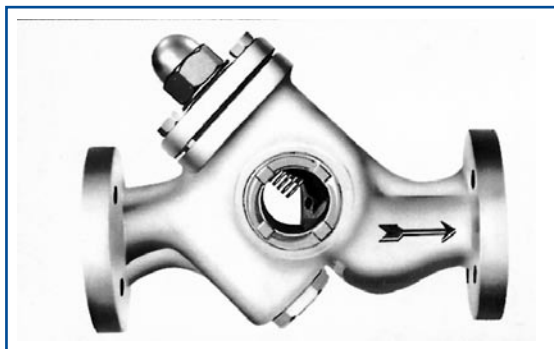


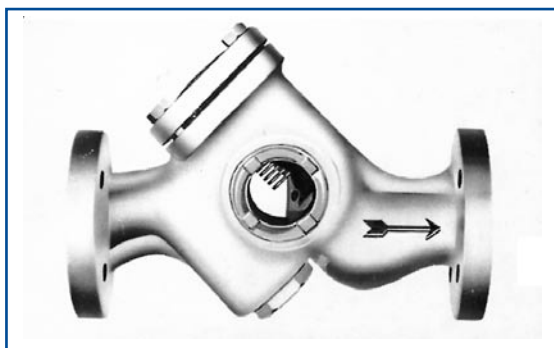
## Blok Steam Trap type AG/BG/CG/DG



### Large model: type AG

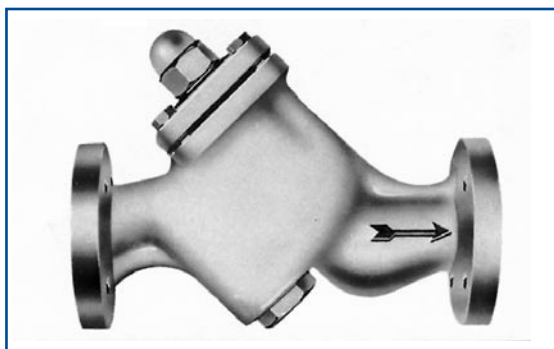
Two sight glasses, large and easily removable strainer and external adjusting device for adjusting during operation. Valve functioning as automatic air vent, discharge- and check valve.

Operating pressure 0-15 bar



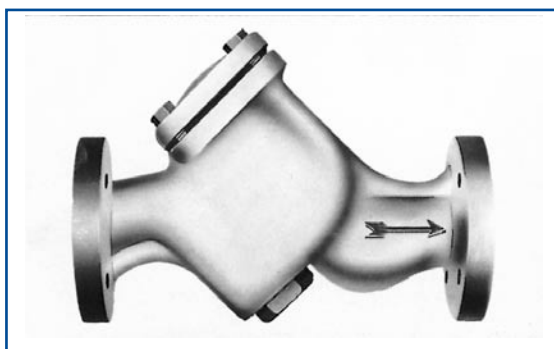
### Large model: type BG

As type AG, however, without external adjusting device.



### Large model: type CG

As type AG, however, without sight glasses.

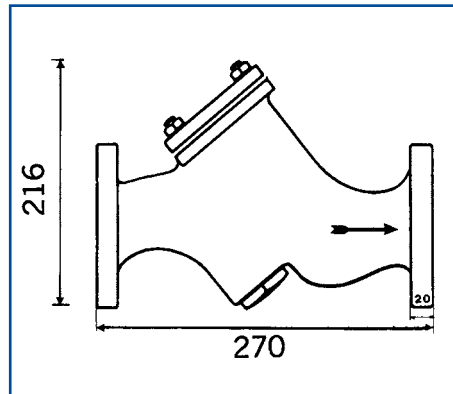
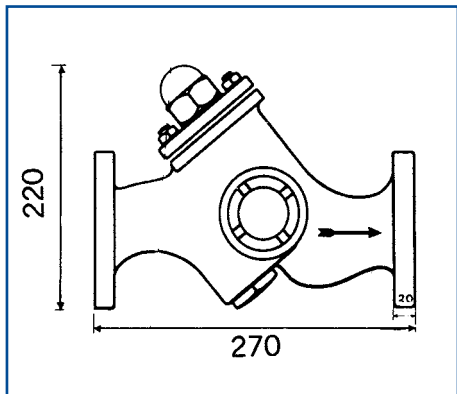


### Large model: type DG

As type AG, however, without sight glasses and external adjusting device.

# Specifications type AG/BG/CG/DG

## Dimensions:



- End connections : flanged DIN: DN 40 - PN 16
- flanged DIN: DN 50 - PN 16
- flanged ANSI: 2" - 150 lbs.
- Max. pressure : 15 bar
- Max. temperature : 300 °C

## Materials:

- Body and bonnet : high quality cast iron GG25
- Internals : stainless steel (valve hardened)
- Gaskets : asbestos free.

## Capacity:

