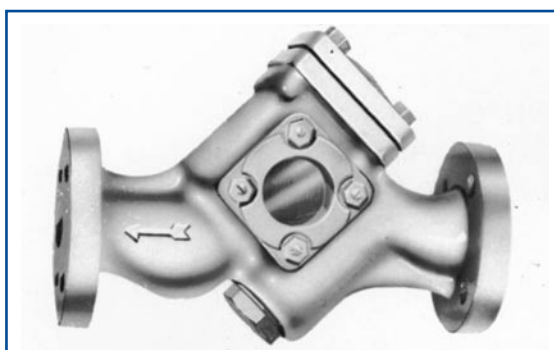




Standard model: type AS

Two sight glasses, large and easily removable strainer, external adjusting device for adjusting during operation. Valve functioning as automatic air vent, discharge- and check valve.

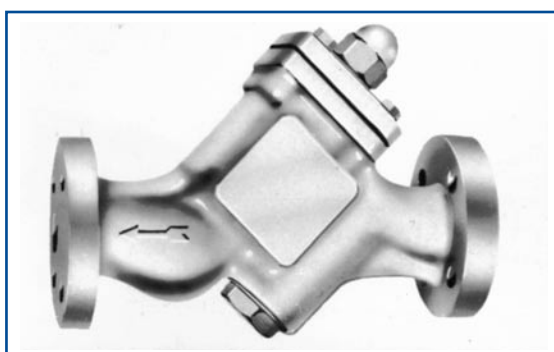
Operating pressure 0-25 bar.



Standard model: type BS

As type AS, however, without external adjusting device.

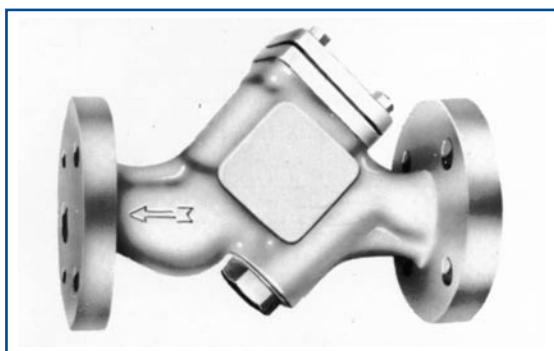
Max. operating pressure: 25 bar.



Standard model: type CS

As type AS, however, without sight glasses.

Max. operating pressure: 32 bar.



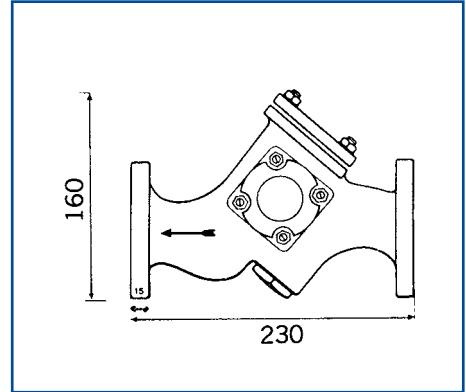
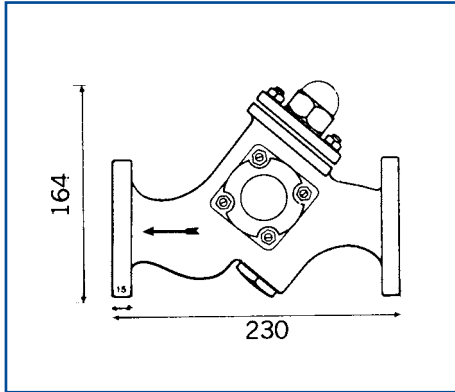
Standard model: type DS

As type AS, however, without sight glasses and without external adjusting device.

Max. operating pressure: 32 bar.

Specifications type: AS/BS/CS/DS

Dimensions (mm):



End connections : flanged DIN DN20-PN40
 flanged ANSI 3/4"-300 lbs
 Max. operation pressure : AS/BS 25 bar, CS/DS 32 bar.
 Max. temperature : 400 °C

Materials:

Body and bonnet : carbon steel C22.8 (A.105)
 Internals : stainless steel (valve hardened)
 Gaskets : asbestos free.

Capacity:

