

Blok Steam Trap type: A/B/C/D



Standard model: type A

Two sight glasses, large and easily removable strainer, external adjusting device for adjusting during operation.

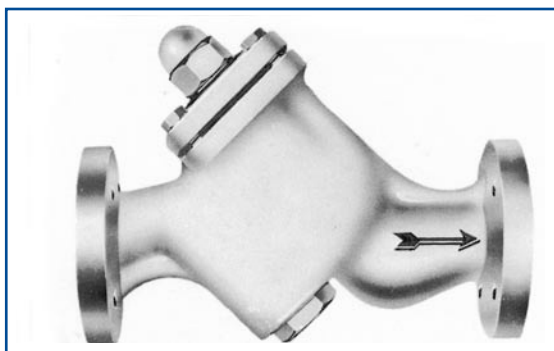
Valve functioning as automatic air vent, discharge- and check valve

Operating pressure 0-15 bar



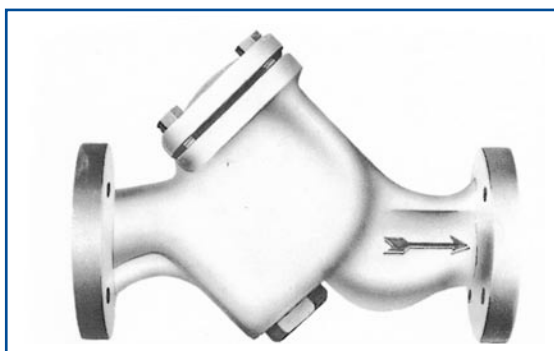
Standard model: type B

As type A, however, without external adjusting device.



Standard model: type C

As type A, however without sight glasses.

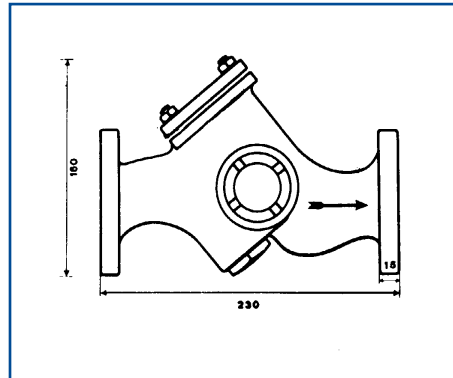
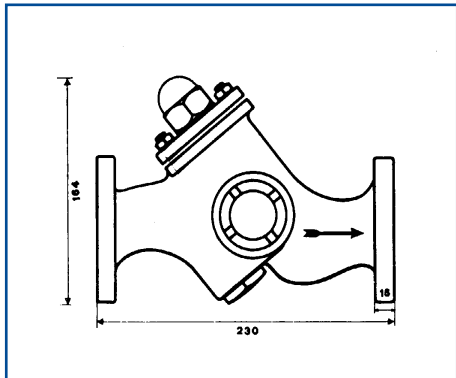


Standard model: type D

As type A, however, without sight glasses and external adjusting device.

SPECIFICATIONS type: A/B/C/D

Dimensions:



- End connections : flanged DIN DN20-PN16
flanged ANSI 3/4"-150 lbs
- Max. pressure : 15 bar
- Max. temperature : 300 °C
- Dims. face to face : 230 mm

Materials:

- Body and bonnet : high quality cast iron GG25
- Internals : stainless steel (valve hardened)
- Gaskets : asbestos free.

Capacity:

