



GOUDA

BLOK steam trap: SRS-XS

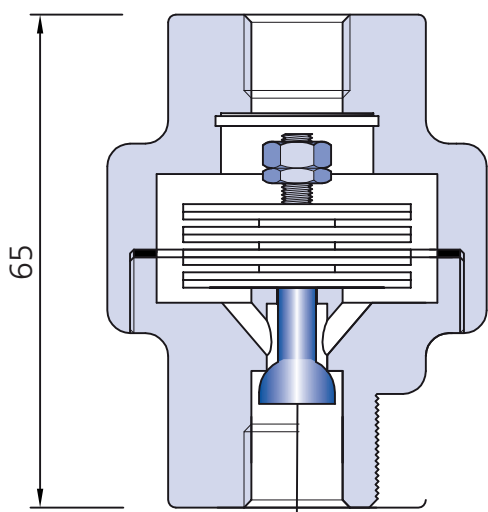
Small model: SRS-XS

Blok type SRS-XS is a stainless steel typical tracing steam trap. For small quantities of condensate at low pressure. F.e. instrument tracing. Easy to install in vertical or horizontal position. Valve operates as drain, air vent and check valve.

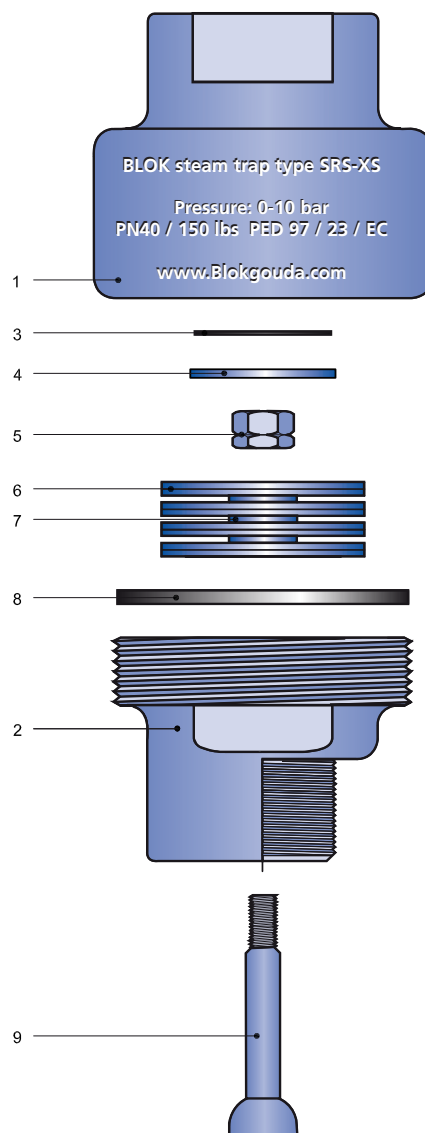
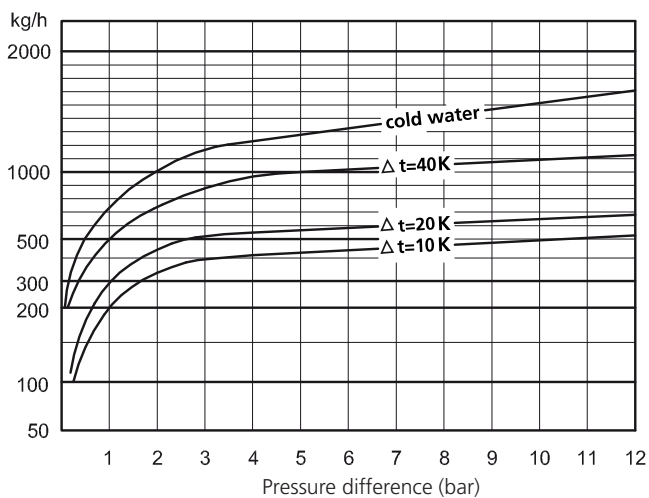
Operating pressure: 0 - 10 bar.

Connections: $\frac{1}{4}$ ", $\frac{1}{2}$ " BSP of NPT.





Operating pressure: 0 - 10 bar.
Connections: ¼" of ½"
BSP or NPT Female/male



Description	Material	
	DIN	ASME
1. Cover	1.4404	SS 316L
2. Body	1.4404	SS 316L
3. Filter	1.4301	SS 304
4. Spring washer	1.4301	SS 304
5. Nuts	1.4301	SS 304
6. Bimetal	RGR	RGR
7. Spacer washer	1.4301	SS 304
8. Gasket	Graphite	Graphite
9. Valve (hardened)	1.4112	SS 440B

Spec. Subject to change without notice