



GOUDA

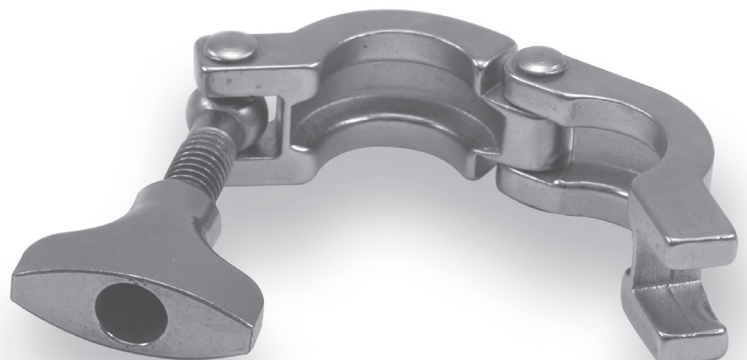
Blok Steam Trap: SRS-XS TC

Small model: SRS-XS TC

The Blok steam trap SRS-XS TC is a typical stainless steel steam trap for the pharmaceutical industry. Low loads of condensate. Easy to install in horizontal or vertical position. Valve operates also as drain, air vent and check valve.

Operating pressure: 0 - 10 bar.

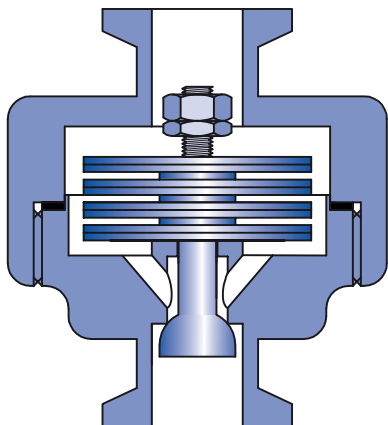
Connection: ½" tri-clover.



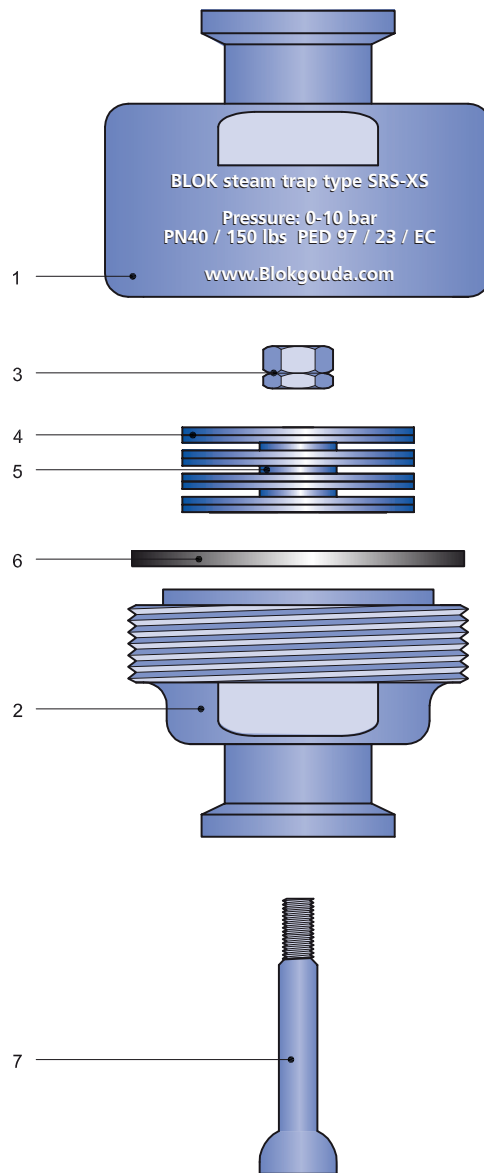
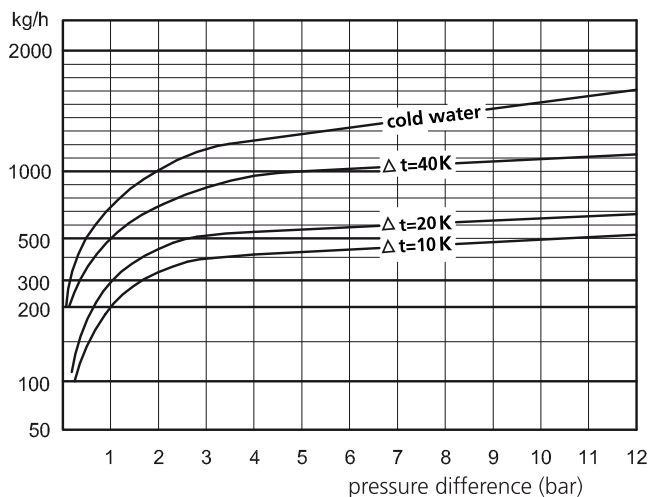


GOUDA

Technical information SRS-XS TC



Operating pressure: 0 - 10 bar.
 Connection: 1/2" TC.



Description	Material	
	DIN	ASME
1. Cover	1.4404	SS 316L
2. Body	1.4404	SS 316L
3. Nuts	1.4301	SS 304
4. Bimetal	RGR	RGR
5. Spacer washer	1.4301	SS304
6. Gasket	PTFE	PTFE
7. Valve (hardened)	1.4112	SS 440B

Spec. Subject to change without notice