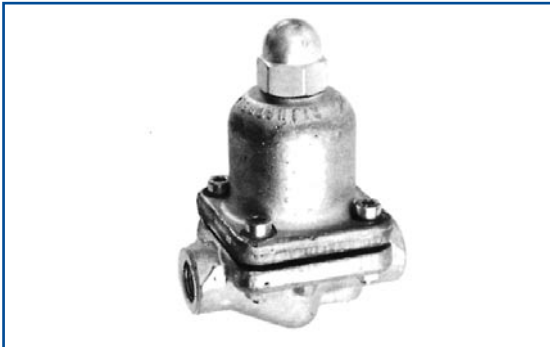


## Blok Steam Trap type MSV/MS



### Medium model: type MSV

Built-in strainer and external adjusting device for adjusting during operation. Valve functioning as automatic air vent, discharge- and check valve  
This model is especially suitable for small appliances and tracing.  
Operating pressure 0-23 bar.



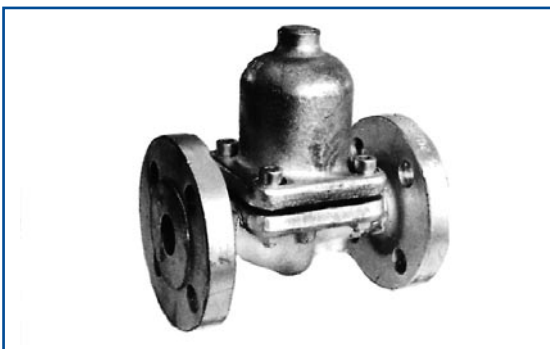
### Medium model: type MSV

Flanged.



### Medium model: type MS

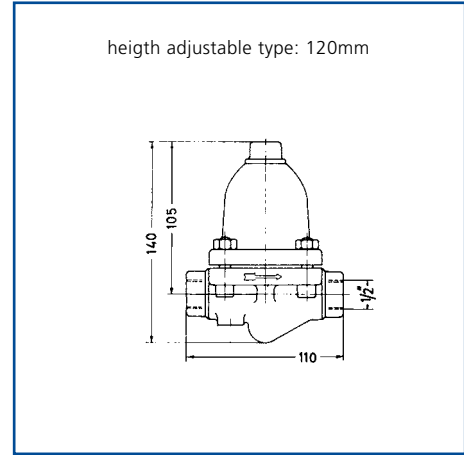
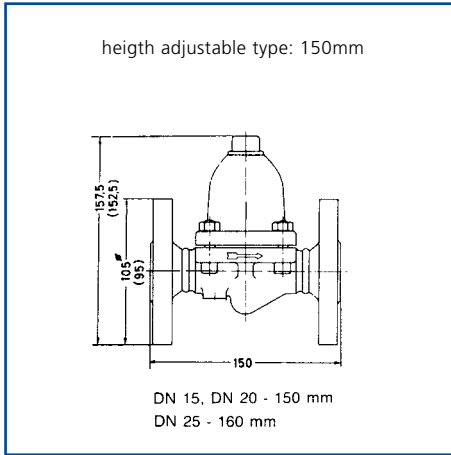
As type MSV, however, without external adjusting device.



### Medium model: type MS

Flanged.

Dimensions (mm):



- End connections : 1/2" and 3/4" screwed NPT/BSP, s.w./b.w.  
flanged DIN DN 15, 20 and 25/PN40  
flanged ANSI: 1/2", 3/4" and 1"/150 or 300 lbs.
- Operation pressure : 0-23 bar.
- Max. temperature : 400 °C.

Materials:

- Body and bonnet : galvanized carbon steel C 22.8. (A.105)
- Internals : stainless steel (valve hardened)
- Gaskets : asbestos free

Capacity:

