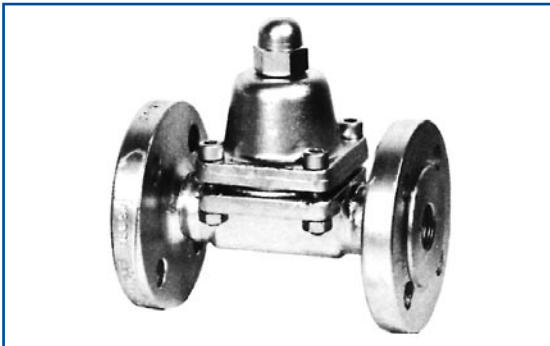


## Blok Steam Trap type: KSV/KS



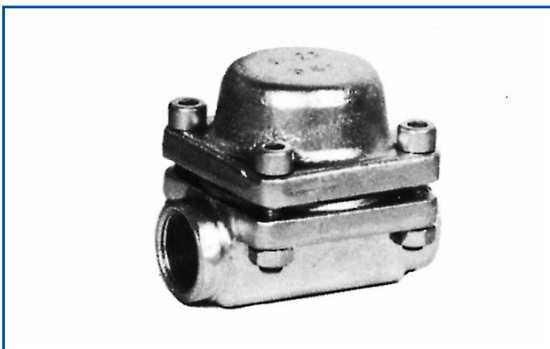
### Small model: type KSV

Built-in strainer and external adjusting device for adjusting during operation. Valve functioning as automatic air vent, discharge- and check valve  
This model is especially suitable for small appliances and tracing.  
Operating pressure 0-17 bar.



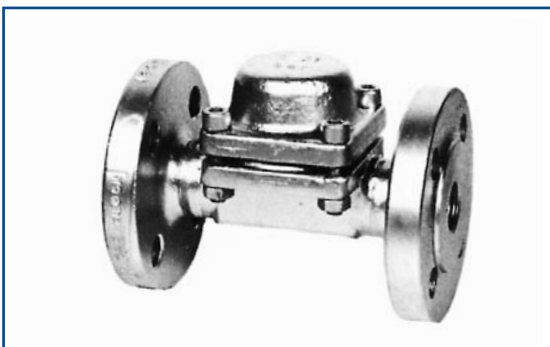
### Small model: type KSV

Flanged.



### Small model: type KS

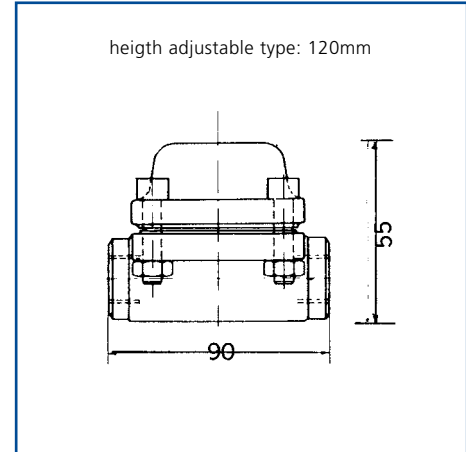
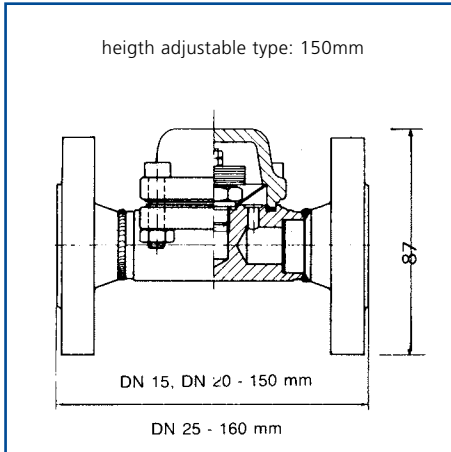
As type KSV, however, without external adjusting device.



### Small model: type KS

Flanged.

Dimensions (mm):



- End connections : 1/2" and 3/4" screwed NPT/BSP, s.w./b.w.  
 flanged DIN DN 15, 20 and 25/PN40  
 flanged ANSI: 1/2", 3/4" and 1"/150 or 300 lbs.
- Operation pressure : 0-17 bar.
- Max. temperature : 400 °C.

Materials:

- Body and bonnet : galvanized carbon steel C 22.8. (A.105)
- Internals : stainless steel (valve hardened)
- Gaskets : asbestos-free

Capacity:

