

Blok Steam Trap type KUG/KU



Small model: type KUG

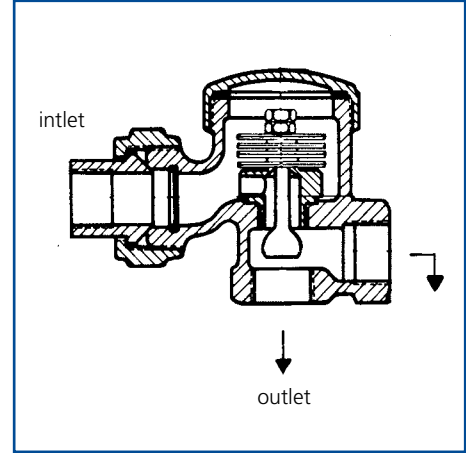
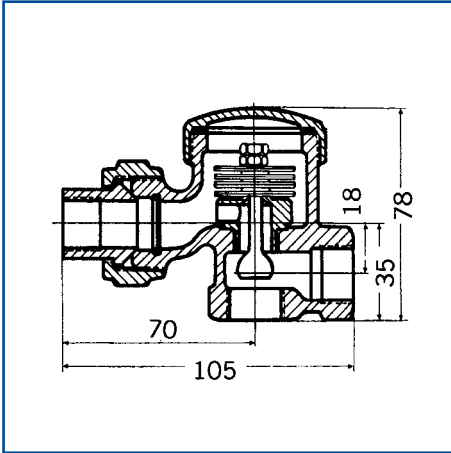
With sight glass and built-in strainer.
 Valve functioning as automatic air vent,
 discharge- and check valve.
 Operating pressure 0-5 bar.
 Straight or vertical installation.



Small model: type KU

As type KUG, however without sight glass.
 (in case of vertical installation, displace fitted
 plug.)

Dimensions (mm):



End connections : 1/2" screwed NPT/BSP.
 Operating pressure : 5 bar. (standard).
 9 bar. (special).
 Max. temperature. : 200 °C.

Materials:

Body and bonnet : brass MS 58 P.
 Internals : stainless steel
 Strainer : brass
 Gaskets : asbestos free
 Coupling : malleable cast iron
 Plug : brass

Capacity:

